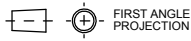


A0 INSTALLATION DRAWING

IF THIS DOCUMENT IS PRINTED IN HARD COPY, IT IS FOR INFORMATION USE ONLY AND THEREFORE IS NOT SUBJECT TO UPDATING CONTROLS. ALWAYS REFER TO SOLIDWORKS VIEWER FOR LATEST ISSUE



THIS DRAWING IS CONFIDENTIAL AND IS SUPPLIED ON THE EXPRESS CONDITION THAT IT SHALL NOT BE LOANED OR COPIED OR DISCLOSED TO ANY OTHER PERSON OR USED FOR ANY OTHER PURPOSE WITHOUT THE WRITTEN CONSENT OF AP RACING LTD.

AP RACING
 AP Racing
 Wheeler Road
 Coventry
 CV3 4LB
 Tel: +44 024 7663 9595
 Fax: +44 024 7663 9559
 e-mail: sales@apracings.co.uk
 Web site: HTTP://www.apracings.com
 © AP Racing Ltd. 2005

Alterations		Zone	Initials
Date & No.	Particulars		
1	30/07/2010 FIRST ISSUE		

GENERAL DESCRIPTION
 THIS PEDAL BOX IS A GENERIC RACING PEDAL BOX DESIGN. DESIGNED FOR COMFORT AND CONTROL. THIS UPDATED PEDAL BOX HAS A NEW OPTIMISED MACHINED FROM BILLET BASEPLATE AND PEDALS.

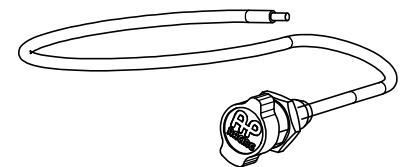
- FEATURES**
- OPTIMISED, LIGHTWEIGHT, MACHINED FROM BILLET BASE PLATE.
 - OPTIMISED, LIGHTWEIGHT BRAKE PEDAL, WITH IMPROVED TWIST DISPLACEMENT.
 - ADJUSTABLE RATIO PEDALS.
 - ALL THREADS ARE METRIC, EXCEPT THOSE MENTIONED BELOW.
 - Ø10 BALANCE BAR
 - PEDAL BOX WEIGHT IS TBA Kg (CP2623 MASTER CYLINDERS APPROX 0.31Kg EACH)
 - CABLE ADJUSTER INCLUDED.
 - THE PEDAL INCLUDES BALL BEARING PIVOTS.

PART NUMBER
 CP5500-535MET - METRIC, PEDAL BOX WITH BRAKE ONLY
 CP5500-535UNF - IMPERIAL, PEDAL BOX WITH BRAKE ONLY
 THE ONLY THREADS THAT ARE IMPERIAL ARE THE 2 BRAKE CLEVIS'S THAT ATTACH TO THE MASTER CYLINDER PUSHRODS.

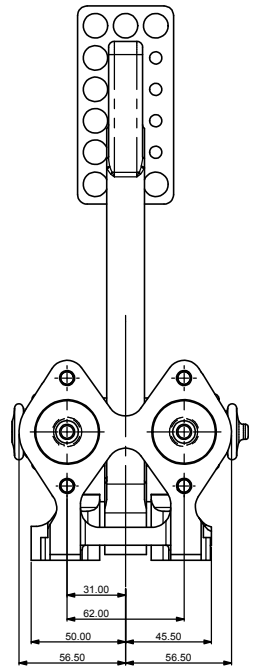
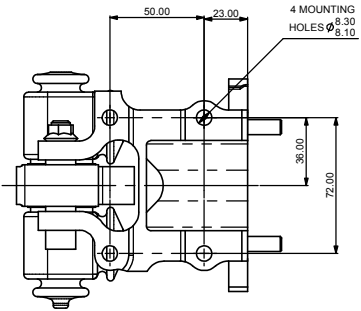
BORE SIZE	BRAKE PEDAL
Ø14.0mm (0.551")	CP2623-88PRM088
Ø15.0mm (0.591")	CP2623-89PRM088
Ø15.9mm (0.625") 5/8"	CP2623-90PRM088
Ø16.8mm (0.661")	CP2623-905PRM088
Ø17.8mm (0.700")	CP2623-91PRM088
Ø19.1mm (0.750") 3/4"	CP2623-92PRM088
Ø20.6mm (0.842") 13/16"	CP2623-93PRM088
Ø22.2mm (0.875") 7/8"	CP2623-94PRM088
Ø23.8mm (0.937") 15/16"	CP2623-95PRM088
Ø25.4mm (1.000")	CP2623-96PRM088

THIS TABLE SHOWS THE RECOMMENDED PUSHROD LENGTHS FOR CYLINDERS IN THIS BOX.
 IF YOU ARE ORDERING THE CP5500-535UNF. THEN MAKE SURE YOU ORDER YOUR CYLINDERS WITH THE 'PRT' EXTENSION AND NOT THE 'PRM', eg CP2623-91PRT088

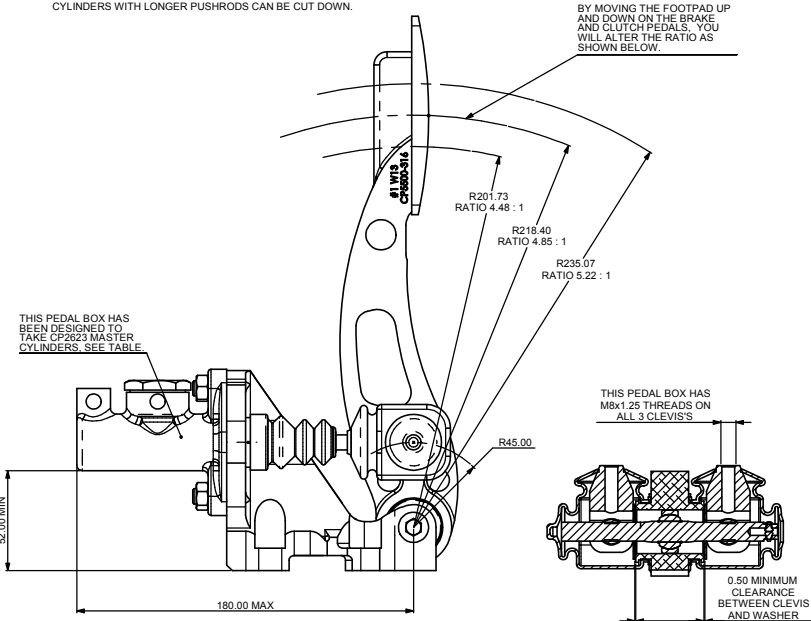
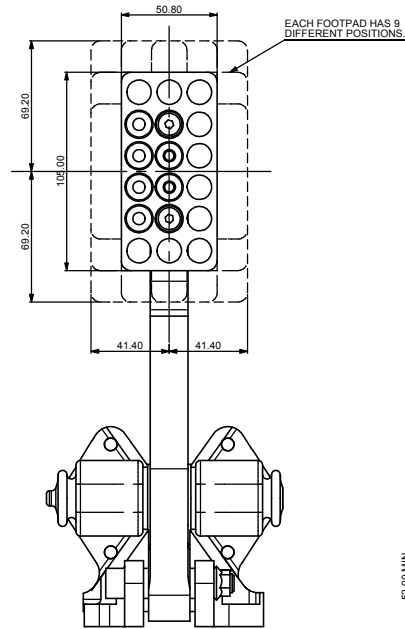
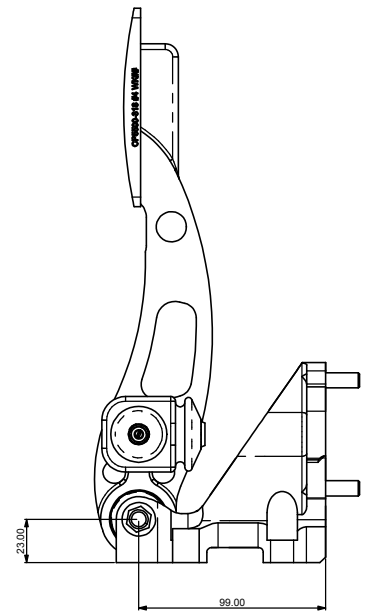
CP2623 CYLINDERS HAVE IMPERIAL THREADS ON THE INLET AND OUTLET, FOR METRIC THREADS ORDER CP9623 VERSIONS INSTEAD.
 CYLINDERS WITH LONGER PUSHRODS CAN BE CUT DOWN.



CP2805-18 CABLE ADJUSTER, THIS IS INCLUDED WITH THIS PEDAL BOX



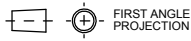
FOR OPTIONAL EXTRAS & SPARES SEE SHEET 2



SCALE 1:1 SHEET 1 OF 2
 DRAWN Chris Arrowsmith
 APPROVED
 DERIVED FROM
 TITLE GENERIC FLOOR MTG PEDAL BOX
 DRG NO. CP5500-535CD

A0 INSTALLATION DRAWING

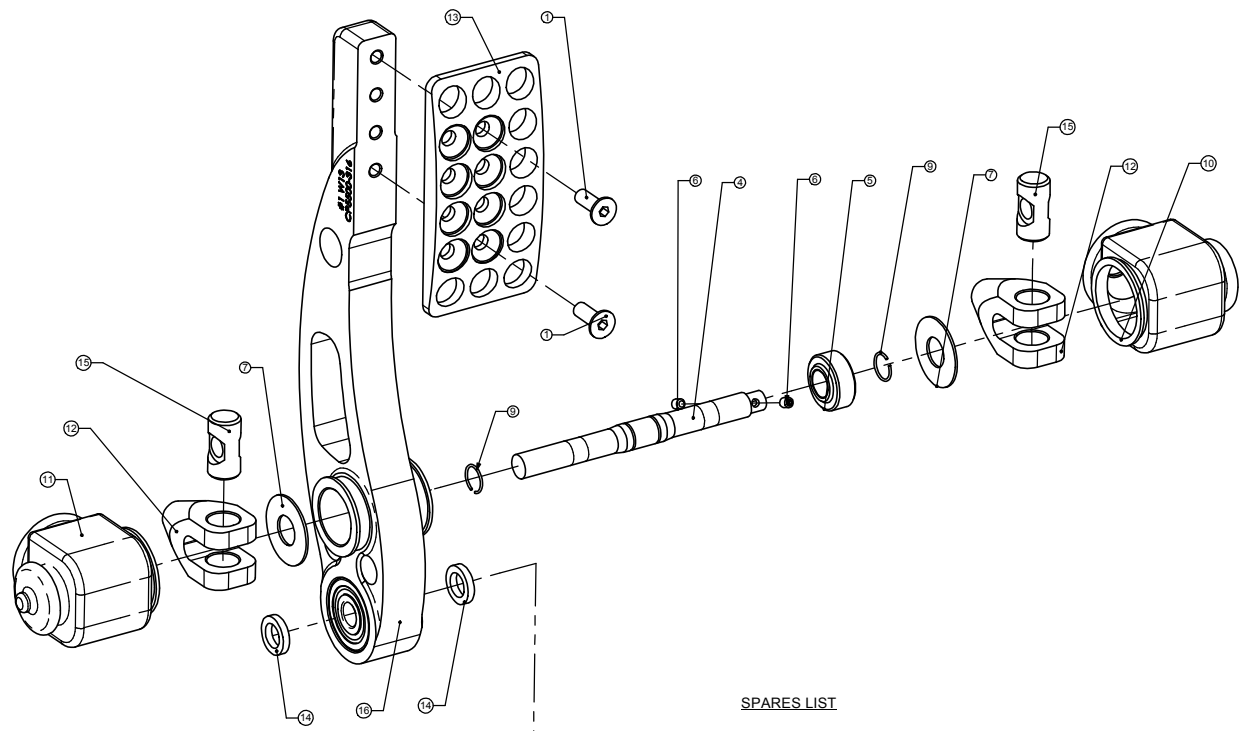
IF THIS DOCUMENT IS PRINTED IN HARDCOPY, IT IS FOR INFORMATION USE ONLY AND THEREFORE IS NOT SUBJECT TO UPDATING CONTROLS. ALWAYS REFER TO SOLIDWORKS VIEWER FOR LATEST ISSUE



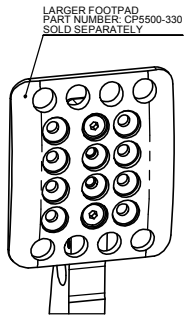
THIS DRAWING IS CONFIDENTIAL AND IS SUPPLIED ON THE EXPRESS CONDITION THAT IT SHALL NOT BE LOANED OR COPIED OR DISCLOSED TO ANY OTHER PERSON OR USED FOR ANY OTHER PURPOSE WITHOUT THE WRITTEN CONSENT OF AP RACING LTD.

AP RACING
 AP Racing
 Wheeler Road
 Coventry
 CV3 4LB
 Tel: +44 024 7663 9595
 Fax: +44 024 7663 9559
 e-mail: sales@apracings.co.uk
 © AP Racing Ltd. 2005
 Web site: HTTP://www.apracings.com

Alterations		Date & No.	Particulars	Zone	Initials
0	00/02	-	SEE SHEET 1 FOR ISSUE INFORMATION.	-	-



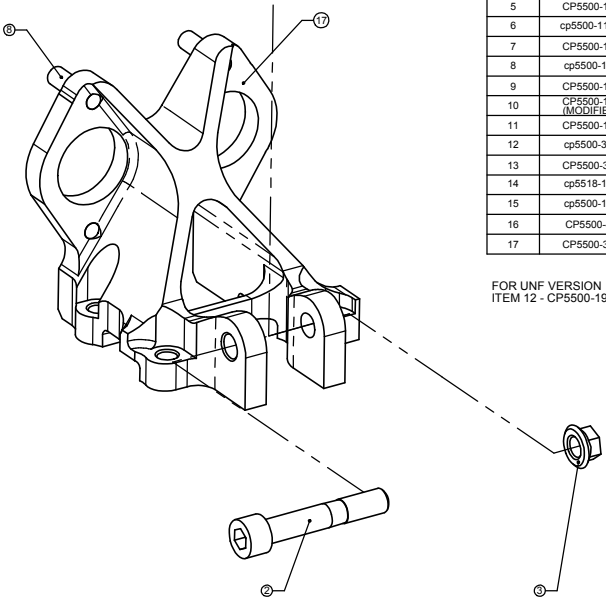
OPTIONAL EXTRAS



SPARES LIST

ITEM NO.	PART NUMBER	DESCRIPTION	CP5500-53/QTY.
1	CP4350-106	M6 x 14 SCREW, COUNTERSUNK	2
2	CP5200-173	M10 x 1.50 SOCKET HEAD CAP SCREW	1
3	CP5427-101	M10 KAYLOCK NUT	1
4	cp5500-105	BALANCE BAR	1
5	CP5500-106	SPHERICAL BEARING	1
6	cp5500-113st	SCREW M4 x 5	2
7	CP5500-124	WASHER	2
8	cp5500-133	STUD M8x1.25, 28.0 LONG	4
9	CP5500-148	SNAP RING	2
10	CP5500-150 (MODIFIED)	RUBBER BOOT	1
11	CP5500-150	RUBBER BOOT	1
12	cp5500-312	CLEVIS - METRIC	2
13	CP5500-318	FOOTPAD	1
14	cp5518-127	SPACER	2
15	cp5500-108	BARREL NUT	2
16	CP5500-40	BRAKE PEDAL SUB-ASSY	1
17	CP5500-341	CP5500 SERIES BASE PLATES	1

FOR UNF VERSION
 ITEM 12 - CP5500-191 - CLEVIS - IMPERIAL



SCALE 1:1 SHEET 1 OF 2
 DRAWN Chris Arrowsmith
 APPROVED
 DERIVED FROM
 TITLE GENERIC FLOOR MTG PEDAL BOX
 DRG NO. CP5500-535CD