

# A1 INSTALLATION DRAWING

IF THIS DOCUMENT IS PRINTED IN HARDCOPY, IT IS FOR INFORMATION USE ONLY AND THEREFORE IS NOT SUBJECT TO UPDATING CONTROLS. ALWAYS REFER TO SOLIDWORKS VIEWER FOR LATEST ISSUE



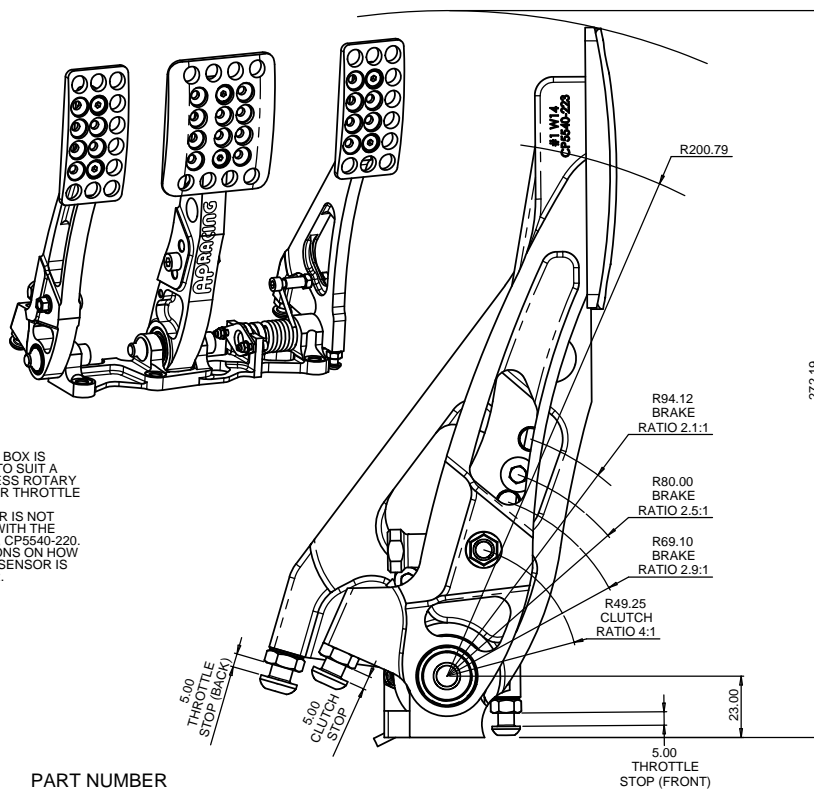
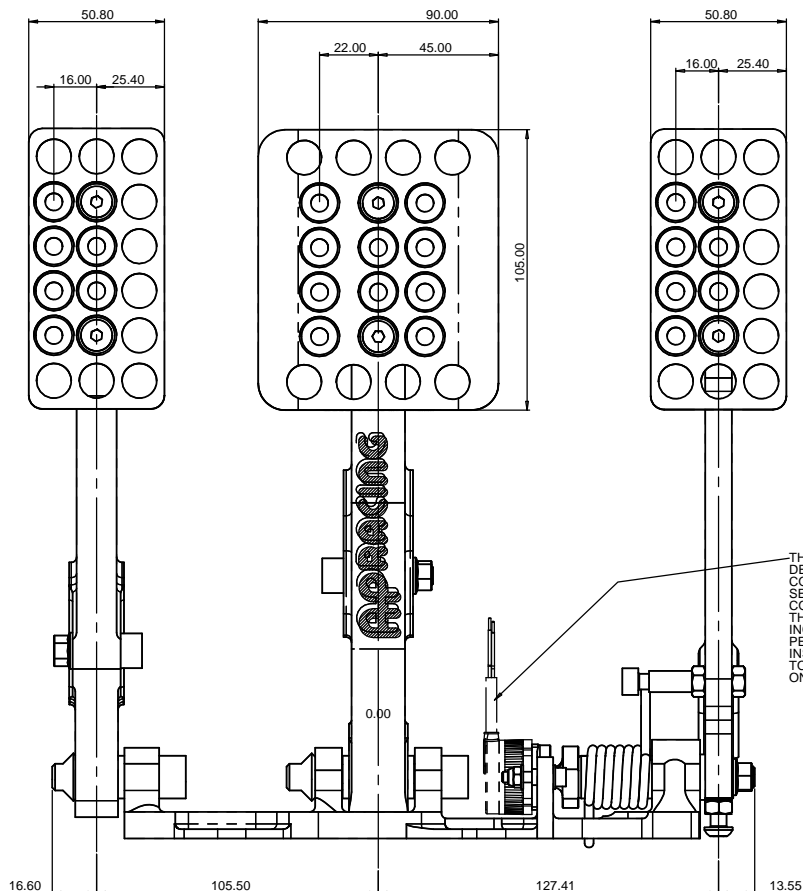
THIS DRAWING IS CONFIDENTIAL AND IS SUPPLIED ON THE EXPRESS CONDITION THAT IT SHALL NOT BE LOANED OR COPIED OR DISCLOSED TO ANY OTHER PERSON OR USED FOR ANY OTHER PURPOSE WITHOUT THE WRITTEN CONSENT OF AP RACING LTD.



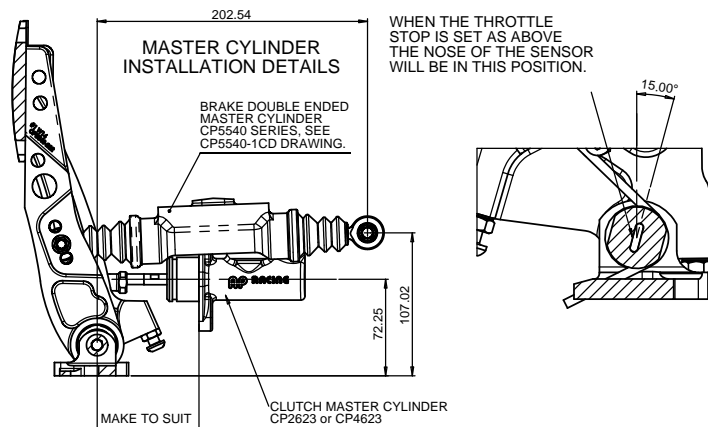
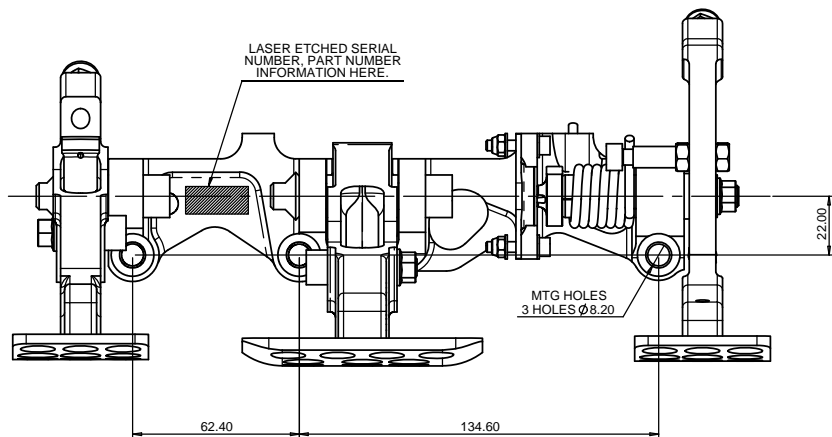
AP Racing  
Wheler Road  
Coventry  
CV3 4LB

Tel: +44 (0) 24 7663 9595  
Fax: +44 (0) 24 7663 9559  
e-mail: [engineering@apracings.co.uk](mailto:engineering@apracings.co.uk)  
Web site: <http://www.apracings.com>

© AP Racing Ltd. 2005



PART NUMBER  
CP5540-50, PEDAL BOX, CLUTCH, BRAKE AND THROTTLE



Issue No.	Alterations			Zone	Initials
	Date & No.	Particulars	#		
1	08/06/10 B5864	FIRST ISSUE	#	CDA	
2	06/07/10 B5864	BOLT TORQUE DATA ADDED OR CORRECTED.	#	CDA	
3	27/07/10 B5864	BOLT TORQUE DATA ADDED OR CORRECTED.	#	CDA	
4	28/09/10 B5864	THROTTLE UPDATED TO LATEST SPEC. ALL IN-ONE PIVOT SHAFT ADDED WITH KEY WAY.	#	CDA	
5	11/11/10 B5864	THROTTLE PEDAL CHANGED. STOP MOVED AWAY FROM PIVOT. CLUTCH PEDAL CHANGED. STOP MOVED AWAY FROM PIVOT. SENSOR CHANGED TO CONTACTLESS SRH280 TYPE.	#	CDA	
6	20/12/10 B5864	THROTTLE SENSOR AREA PRODUCTIONISED. THROTTLE PIVOT SHAFT CHANGED TO SUIT LARGER SPRING	#	CDA	
7	03/03/2011 B5864	THROTTLE SENSOR NO LONGER PROVIDED WITH THE PEDAL BOX, CHANGES MADE TO REFLECT THIS.	#	CDA	
8	16/08/11 B6296	ITEM 13 CP7066-103 WAS CP5516-171. 2 OFF SCHNORR WASHERS ADDED. ITEM 34 & 35		SAT	
9	01/09/11 B6329	TROTTLER RETURN SPRING CP5540-225 WAS CP5540-206 SPRING SPACER REMOVED	6C	SAT	
10	12/01/12 B6406	TROTTLER RETURN SPRING CP5540-226 WAS CP5540-225	6C	SAT	
11	03/07/2013	THROTTLE SENSOR BOLT TORQUES UPDATED.	#	CDA	

SCALE 1:1	SHEET 1 OF 2
DRAWN	Chris Arrowsmith
APPROVED	
DERIVED FROM	
TITLE	PEDAL BOX
DRG NO.	CP5540-50CD

# A1 INSTALLATION DRAWING

IF THIS DOCUMENT IS PRINTED IN HARDCOPY, IT IS FOR INFORMATION USE ONLY AND THEREFORE IS NOT SUBJECT TO UPDATING CONTROLS. ALWAYS REFER TO SOLIDWORKS VIEWER FOR LATEST ISSUE



THIS DRAWING IS CONFIDENTIAL AND IS SUPPLIED ON THE EXPRESS CONDITION THAT IT SHALL NOT BE LOANED OR COPIED OR DISCLOSED TO ANY OTHER PERSON OR USED FOR ANY OTHER PURPOSE WITHOUT THE WRITTEN CONSENT OF AP RACING LTD.

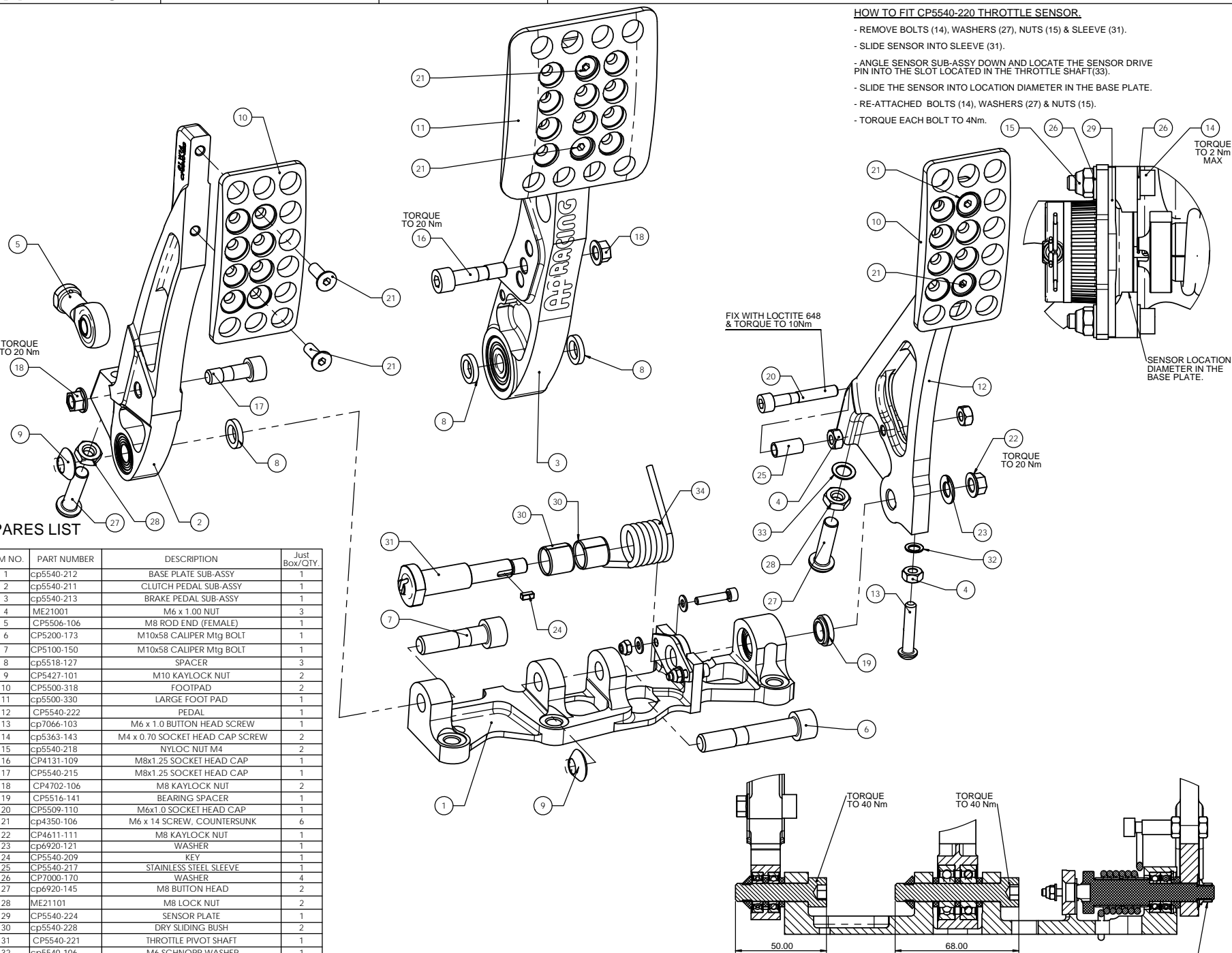


AP Racing  
Wheler Road  
Coventry  
CV3 4LB

Tel: +44 (0) 24 7663 9595  
Fax: +44 (0) 24 7663 9559  
e-mail: [engineering@apracings.com](mailto:engineering@apracings.com)  
Web site: <http://www.apracings.com>

© AP Racing Ltd. 2005

Issue No.	Alterations		Zone	Initials
	Date & No.	Particulars		
-	-	SEE SHEET 1 FOR ISSUE INFORMATION.	-	-



## SPARES LIST

ITEM NO.	PART NUMBER	DESCRIPTION	Just Box/Qty.
1	cp5540-212	BASE PLATE SUB-ASSY	1
2	cp5540-211	CLUTCH PEDAL SUB-ASSY	1
3	cp5540-213	BRAKE PEDAL SUB-ASSY	1
4	ME21001	M6 x 1.00 NUT	3
5	CP5506-106	M8 ROD END (FEMALE)	1
6	CP5200-173	M10x58 CALIPER M1g BOLT	1
7	CP5100-150	M10x58 CALIPER M1g BOLT	1
8	cp5518-127	SPACER	3
9	CP5427-101	M10 KAYLOCK NUT	2
10	CP5500-318	FOOTPAD	2
11	cp5500-330	LARGE FOOT PAD	1
12	CP5540-222	PEDAL	1
13	cp7066-103	M6 x 1.0 BUTON HEAD SCREW	1
14	cp5363-143	M4 x 0.70 SOCKET HEAD CAP SCREW	2
15	cp5540-218	NYLOC NUT M4	2
16	CP4131-109	M8x1.25 SOCKET HEAD CAP	1
17	CP5540-215	M8x1.25 SOCKET HEAD CAP	1
18	CP4702-106	M8 KAYLOCK NUT	2
19	CP5516-141	BEARING SPACER	1
20	CP5509-110	M6x1.0 SOCKET HEAD CAP	1
21	cp4350-106	M6 x 14 SCREW, COUNTERSUNK	6
22	CP4611-111	M8 KAYLOCK NUT	1
23	cp6920-121	WASHER	1
24	CP5540-209	KEY	1
25	CP5540-217	STAINLESS STEEL SLEEVE	1
26	CP7000-170	WASHER	4
27	cp6920-145	M8 BUTON HEAD	2
28	ME21101	M8 LOCK NUT	2
29	CP5540-224	SENSOR PLATE	1
30	cp5540-228	DRY SLIDING BUSH	2
31	CP5540-221	THROTTLE PIVOT SHAFT	1
32	cp5540-106	M6 SCHNORR WASHER	1
33	cp5540-107	M8 SCHNORR WASHER	1
34	CP5540-226	TORSION SPRING	1

### HOW TO FIT CP5540-220 THROTTLE SENSOR.

- REMOVE BOLTS (14), WASHERS (27), NUTS (15) & SLEEVE (31).
- SLIDE SENSOR INTO SLEEVE (31).
- ANGLE SENSOR SUB-ASSY DOWN AND LOCATE THE SENSOR DRIVE PIN INTO THE SLOT LOCATED IN THE THROTTLE SHAFT(33).
- SLIDE THE SENSOR INTO LOCATION DIAMETER IN THE BASE PLATE.
- RE-ATTACHED BOLTS (14), WASHERS (27) & NUTS (15).
- TORQUE EACH BOLT TO 4Nm.

FIX WITH LOCTITE 648 & TORQUE TO 10Nm

TORQUE TO 2 Nm MAX

SENSOR LOCATION DIAMETER IN THE BASE PLATE.

TORQUE TO 20 Nm

TORQUE TO 40 Nm

TORQUE TO 40 Nm

TORQUE TO 20 Nm

IMPORTANT NOTE - ASSEMBLE PEDALS TO BASE IN THIS ORDER: CLUTCH, BRAKE THEN THROTTLE.

SCALE 1:1	SHEET 2 OF 2
DRAWN	Chris Arrowsmith
APPROVED	
DERIVED FROM	
TITLE	PEDAL BOX
DRG NO.	CP5540-50CD